

# PREFERRED SEATING

## *Triumph Stadium Chair*



### Standard Features of the 2554 Triumph Chair

- Limited Lifetime Warranty
  - Design Layout and Installation Coordination
    - Chair Widths: 19", 20" 21" and 22"
  - Both floor and/or riser attached seats types available with blow molded plastic seat and back
    - All metal made of die cast aluminum
    - Automatic lifting mechanism to return the seat to a uniform full folded position
  - Plastics made of one piece, dual-wall High Density Polyethylene with in-molded UV stabilizers
- 
- Many standard seat colors to choose from
  - All metal components are shot blasted, cleaned and smoothed after the casting process
  - Waterborne, black, cathodic deposition primer applied to all metal parts to seal against corrosion
  - All metal parts receive a UV stable, polyester powder coat finish.
  - Fully zinc-plated installation assembly hardware
  - Stainless steel bolts and nuts for attaching backs and seats to standards and hinges



633 YOSEMITE DR  
INDIANAPOLIS, IN 46217  
WWW.PREFERRED-SEATING.COM



CALL US TOLL FREE (USA): 866-922-0226  
LOCAL: 317-782-3323  
FAX: 317-782-3909  
INFO@PREFERRED-SEATING.COM

# SPECIFICATIONS

## Standard Features:

### Seat & Back:

Solid, contoured, high density low-molded plastic with double walled construction, no-stick surface texturing, thru coloring, and uv stabilizer. The seat bottom also has no-pinch waterfall front edge.

Chair Widths: 19", 20", 21", and 22"

### Standard:

Riser & floor-mounted high strength die cast aluminum

### Lift System:

Dual-action, plated, multiple-spring system with cast aluminum hinges and long wearing nylon bearings

### Metal Finish:

Cathodic e-coat primer and powder coat top coat

ISO 9001:2000 & ISO/TS 16949:2000

Compliant

California Technical Bulletin 117 Compliant

## Optional Features:

Cup Holders

Rear Mounted

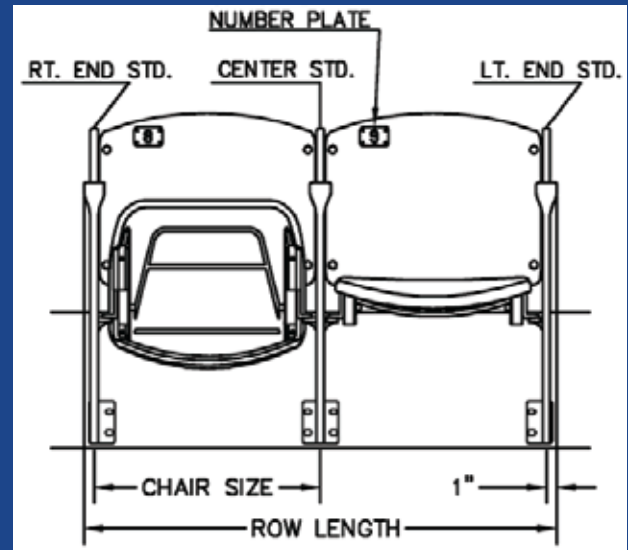
Rail Mounted

Number & Letter, Donor, Custom Logo, and Team Decal Plates

Semi-Upholstered Seat And Back

Fabric Covered 1" Or 2" Padding.

Upholstered Seat



## Concrete Requirements

### Floor Mounted Chairs:

3" thick, and free from obstruction for 1 1/2" from the top surface

### Riser Mounted Chairs:

4" thick and free from obstruction for 2 1/2" from face of riser

Riser to be plumb (plus or minus) 1/8"

Minimum 3000 psi

